

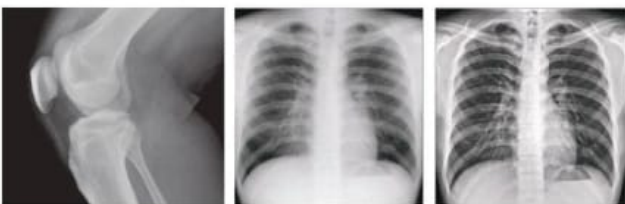


CE

Izin Edar No. AKL 21501220274

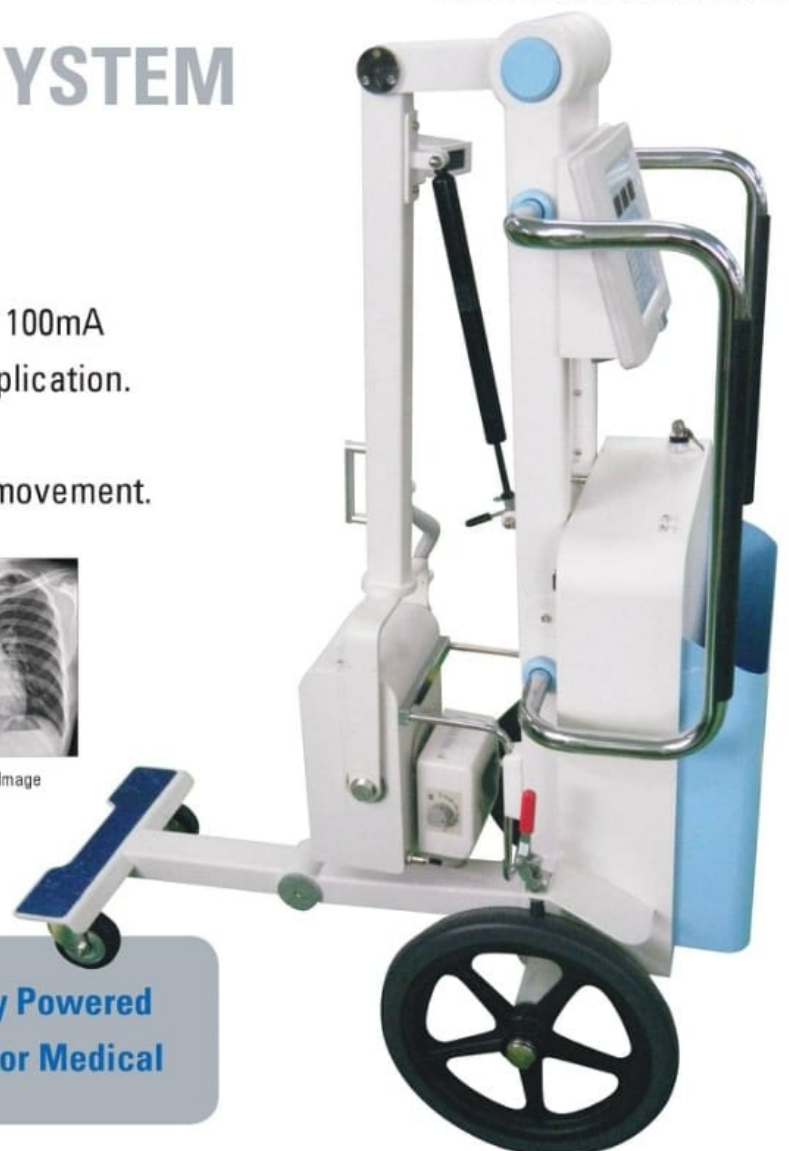
## MOBILE X-RAY SYSTEM **POX-100BT**

POX-100BT has powerful strength of 100mA and ideological design for mobile application. Experience high imaging resolution, user-friendly operation and smooth movement.



Raw Image

Enhanced Image



**100mA, 5.0kW Battery Powered  
Mobile X-ray system for Medical**

**Order Now :  
Afrizal 0852 2000 9448**

# POX-100BT

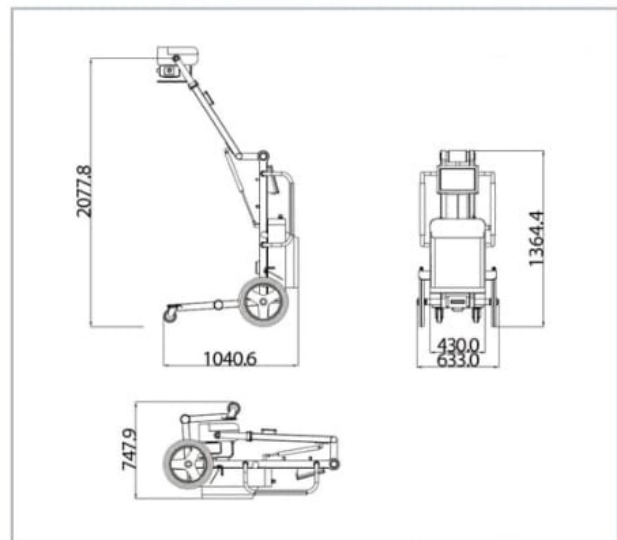
## Mobile X-ray System

### SPECIFICATION

MODEL	POX-100BT
Generator Type	5.0kw,60khz BATTERY TYPE
Kv Range	40~110kv, 1.0kv increment
mA Range	20~100mA, variable
mAs Range	0.1~100mAs, 38selections
Console & Display	-kV & mA & mAs/sec digital display -Density(for human) digital display -Prep. & Exposure LED -Collimator lamp Switch -APR Store Switch
Software	-PROM Memory : 30 APR
X-ray Tube	Type: Fixed anode Focal spot size: 1.8mm Heat Storage: 30000J Cooling rate: 250W Inherent Filtration: 0.5mm Al Target angel: 15°
Laser Pointer	Single & Dual laser (Optional)
Collimator	Manual: PCM100 Lamp: 24V150watt, halogen lamp, built-in: 30sec. Timer(DC: 30sec) X-ray Field Size: 35cm * 35cm @ 65cm SID
Auto Compensation	Line voltage comp. ±10%
Charge input	100V – 240 VAC ,50/60Hz
Net Weight	140kg



### DIMENSIONS



# ACOMA'S POX-100 BT

## Mobile X-Ray

KEMENKES RI AKL 21501220274

### POWERFUL YET MOBILE X-RAY MACHINE

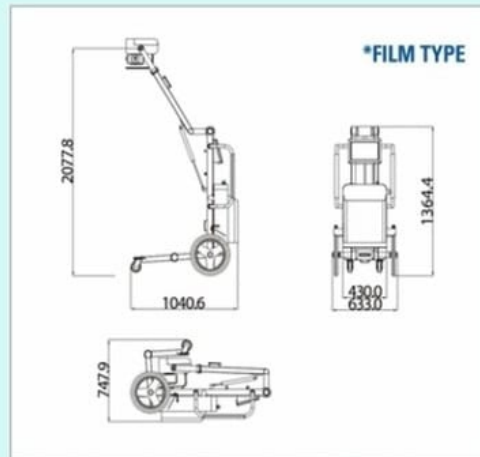
#### Outstanding Performance

- Powerful strength of 100 mA
- Powered by 5.0 kW battery
- High imaging resolution
- Can be used mobile

#### Spesification

Generator Type	5.0 kW, 60kHz BATTERY TYPE
kV Range	40 – 110 kV, 1.0 kV increment
mA Range	20 – 100 mA, variable
mAs Range	0.1 – 100 mAs, 38 selections
Console & Display	- kV & mA & mAs/sec digital display - Prep. & Exposure LED - Collimator lamp switch - APR Store Switch
Software	PROM Memory: 30 APR
X-Ray Tube	Type: Fixed anode Focal spot size: 1.8 mm Heat storage: 30000 J Cooling rate: 250 W Inherent filtration: 0.5 mm Al Target angel: 15°
Laser Pointer	Single & dual laser (optional)
Collimator	Manual: PCM100 Lamp: 24 V, 150 Watt, halogen lamp, built-in: 30 sec. Timer (DC: 30 sec) X-Ray field size: 35 cm x 35 cm @ 65cm SID
Auto Compensation	Line voltage comp. ±10%
Charge Input	100 V – 240 VAC, 50/60Hz
Net Weight	140 kg

#### Dimension



### Compatible with Digital Radiography System

